

**KMR DISPLAYS**

# **12 SHELF COUNTERTOP DISPLAY**

**ASSEMBLY INSTRUCTIONS**

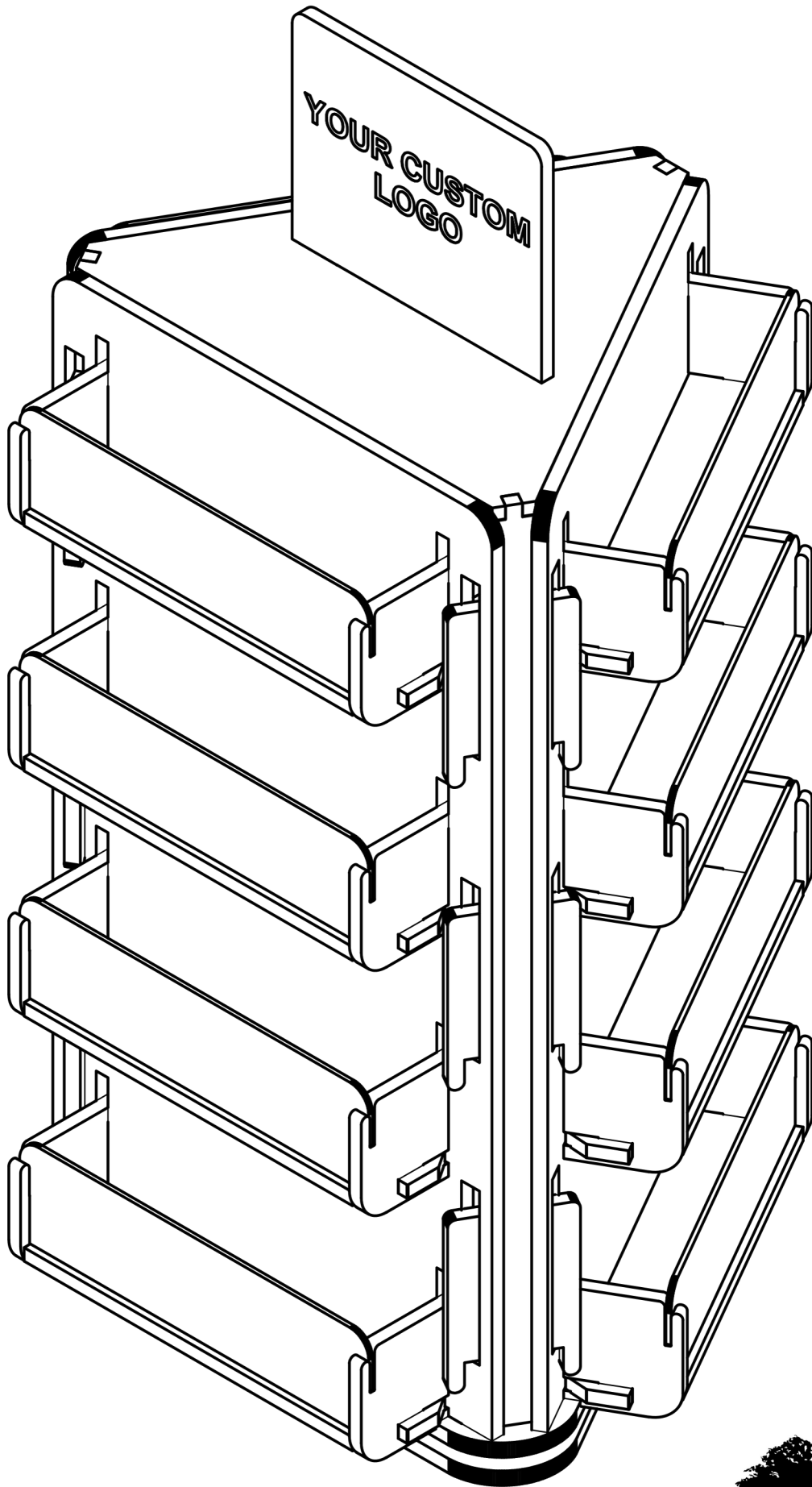


**VERSION 1.1**

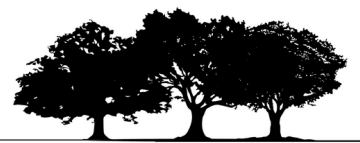
**01/14/25**

**ENGLISH**

**Online Instructions**

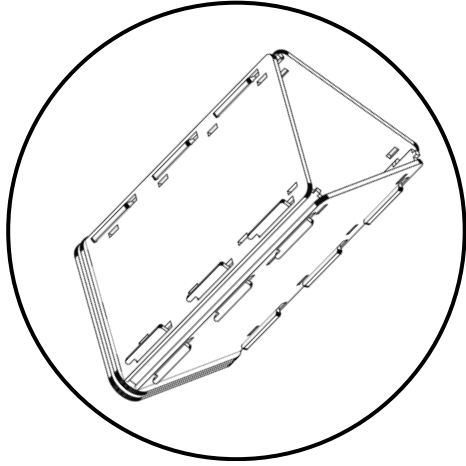


1

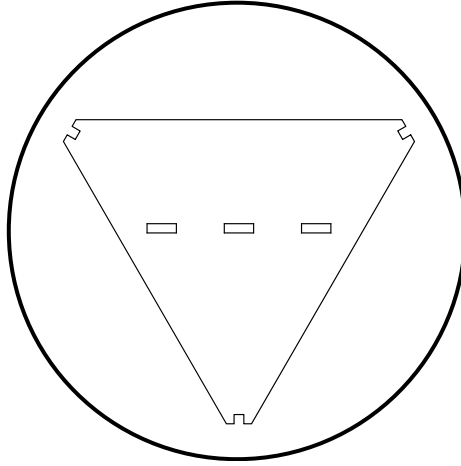


KMR DISPLAYS

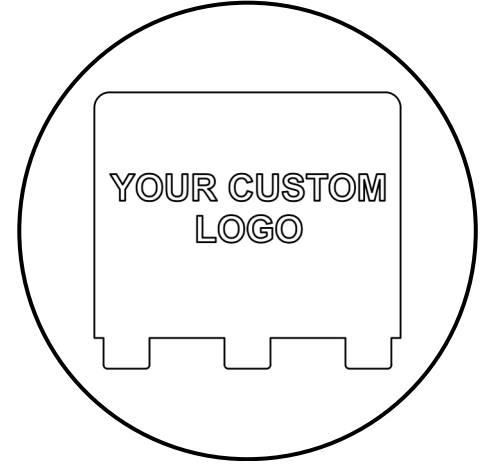
# ITEMS INCLUDED



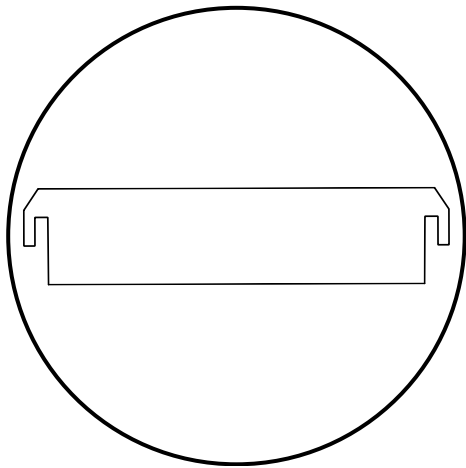
**1x Display Body (A)**



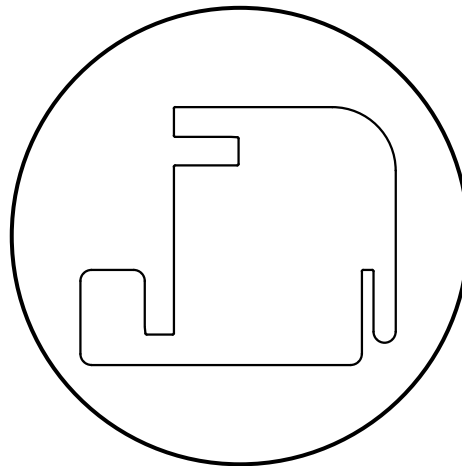
**1x Display Top (B)**



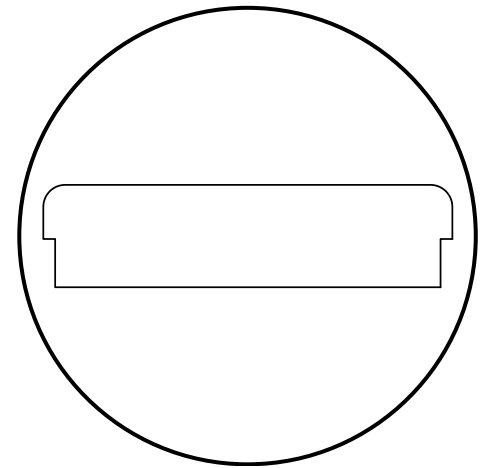
**1x Branded Sign (C)**  
(if purchased)



**12x Shelf Bottoms (D)**

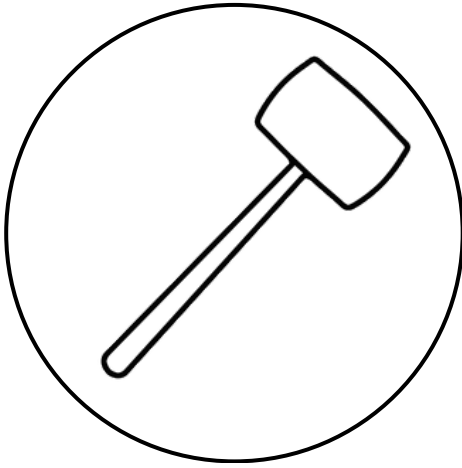


**24x Shelf Sides (E)**



**12x Shelf Fronts (F)**

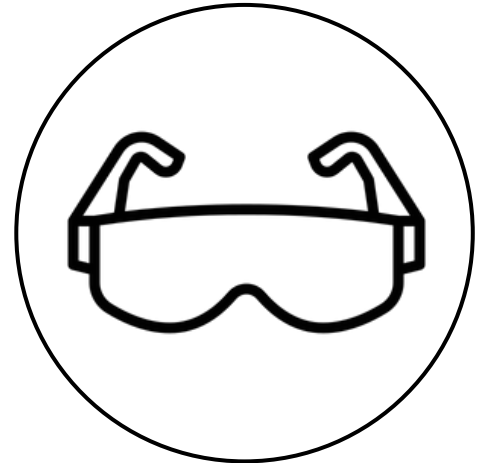
# RECOMMENDED TOOLS



Rubber Hammer



Cut-Proof Gloves



Safety Goggles



# SAFETY DISCLAIMER

At KMR Displays, your safety is our top priority. While assembling your new retail display, please take the following precautions to ensure a safe and injury-free experience:

1: **Use Proper Tools:** Only use the recommended tools to avoid accidents. A rubber hammer is optional but may help with secure assembly.

2: **Protect Yourself:** Always wear gloves and safety goggles to prevent assembly related injuries.

3: **Follow Instructions:** Carefully adhere to the step-by-step assembly guide to ensure the display is properly secured and stable.

4: **Work Safely:** Assemble the display on a flat, stable surface, and avoid placing heavy objects on the display until fully assembled.

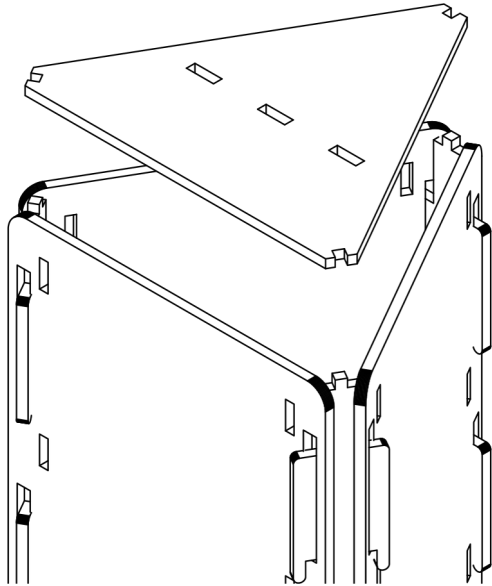
***\*\*KMR Displays is not responsible for injuries, damages, or instability resulting from improper assembly or misuse of the product. If you have any concerns or questions, please reach out to our team for assistance.\*\****



KMR DISPLAYS

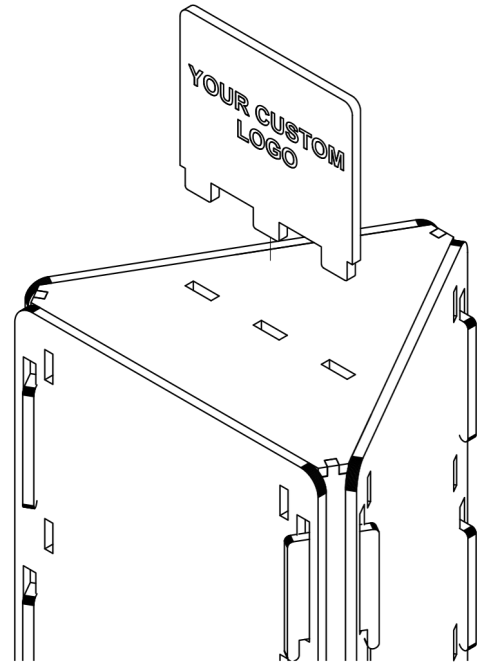
# ASSEMBLY INSTRUCTIONS

1



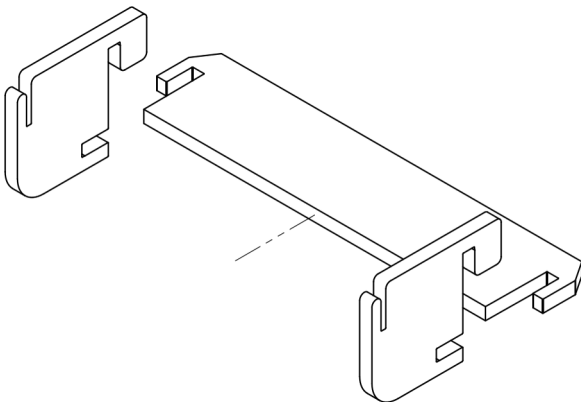
Take the display top (**B**) and place it on top of the display body (**A**).

2



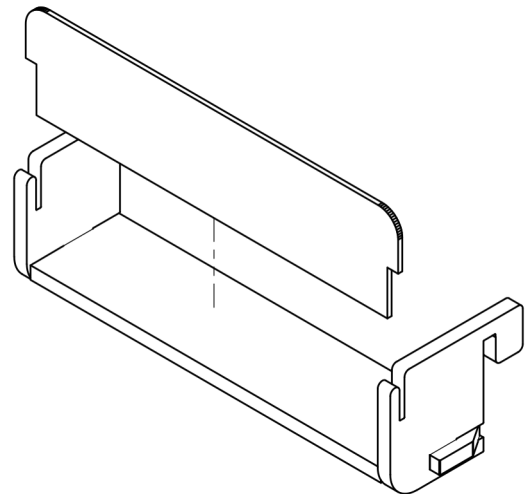
Insert the branded sign (**C**) into the tops slots.

3



Take the shelf bottoms (**D**) and insert a shelf side (**E**) on either side.

4

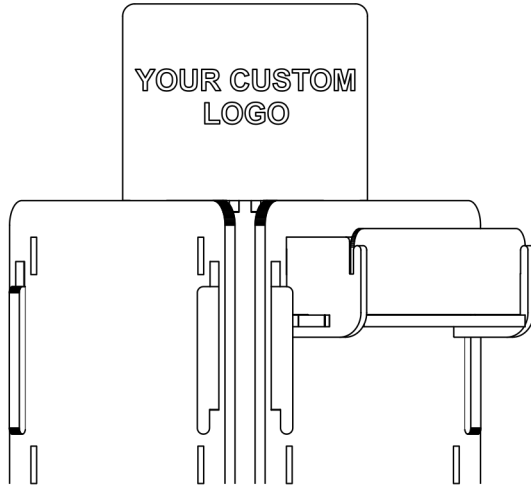


Remove the protective film from each shelf front (**F**) and place into the shelf.

5

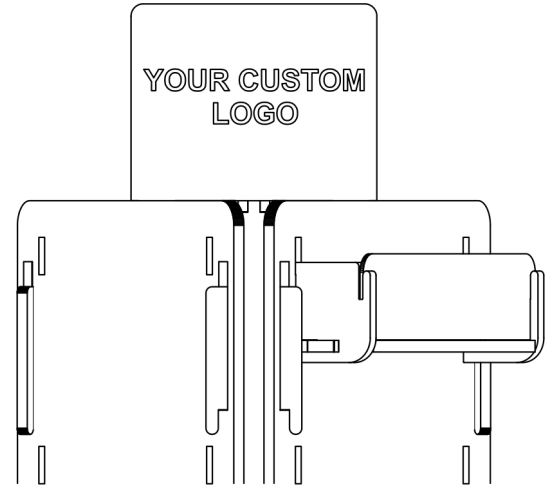
# ASSEMBLY INSTRUCTIONS

5



Take each assembled shelf and insert it into the display body.

6



Finally, push down on each shelf to lock it into place.

# Thank you for your purchase!

We are thrilled that you are part of the KMR Displays family! Your decision to partner with us means the world!

If you have any questions during setup or need assistance, don't hesitate to reach out to our team.



[www.kmrdisplays.com](http://www.kmrdisplays.com)  
[sales@kmrdisplays.com](mailto:sales@kmrdisplays.com)



**KMR DISPLAYS**