

KMR DISPLAYS

40 SHELF FLOOR DISPLAY

ASSEMBLY INSTRUCTIONS

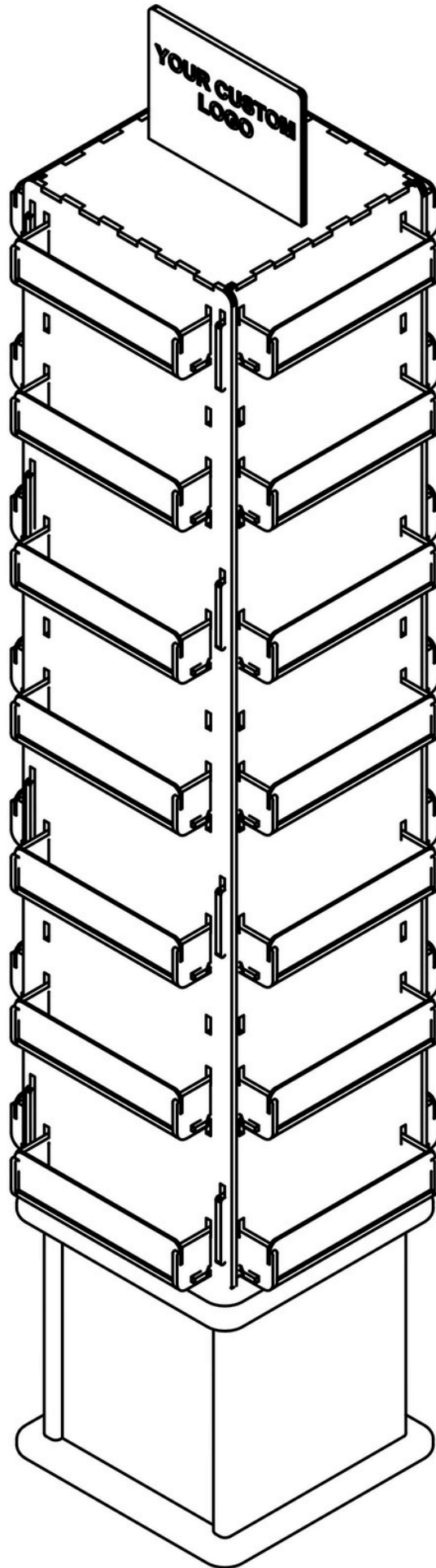


VERSION 1.1

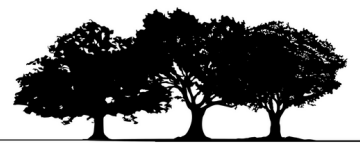
01/13/25

ENGLISH

Online Instructions

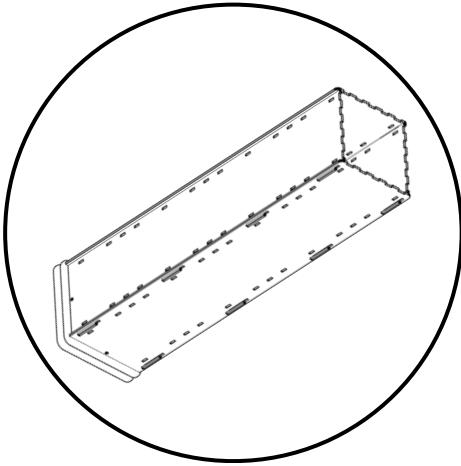


1

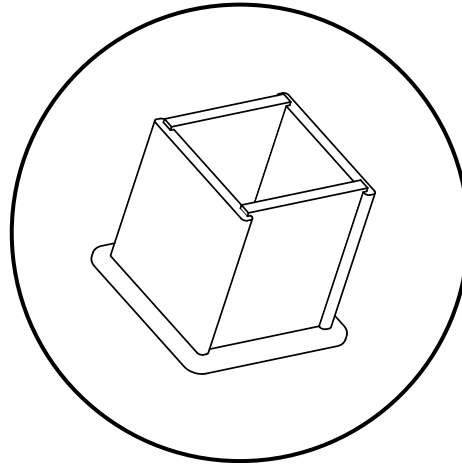


KMR DISPLAYS

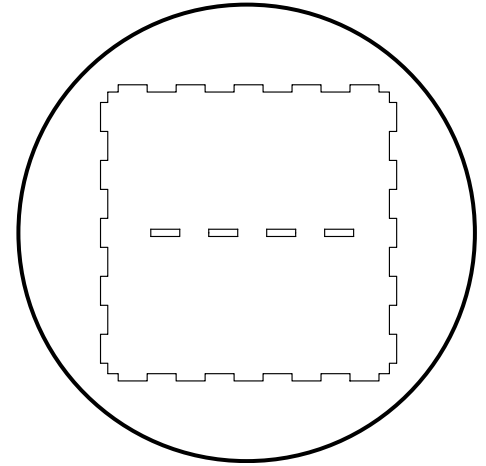
ITEMS INCLUDED



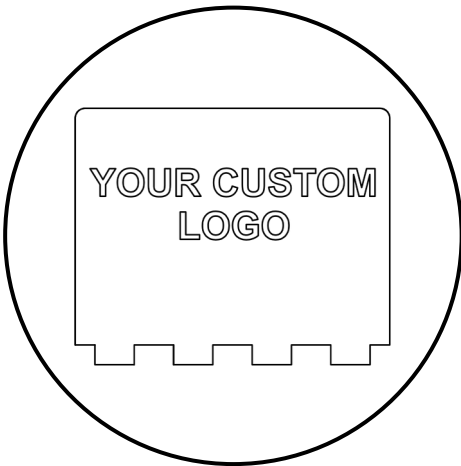
1x Display Body (A)



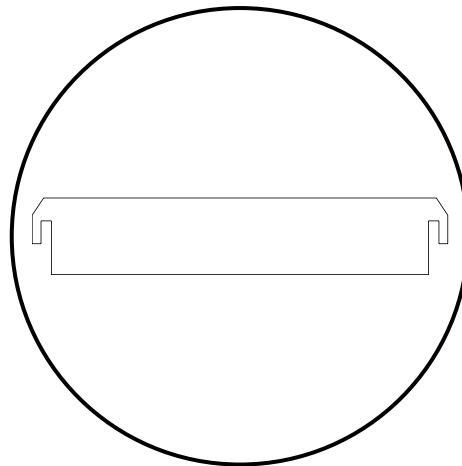
1x Display Base (B)



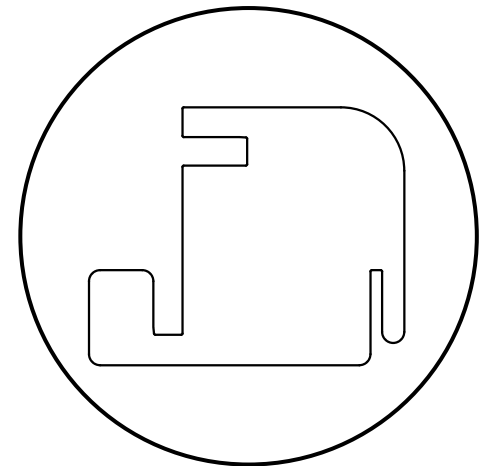
1x Display Top (C)



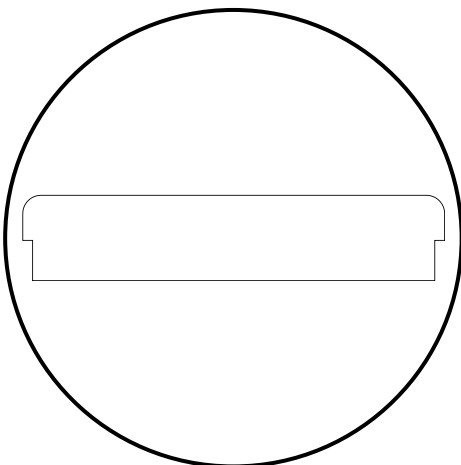
1x Branded Sign (D)
(if purchased)



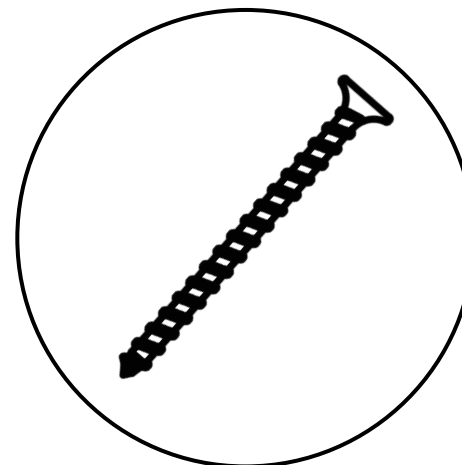
40x Shelf Bottoms (E)



80x Shelf Sides (F)

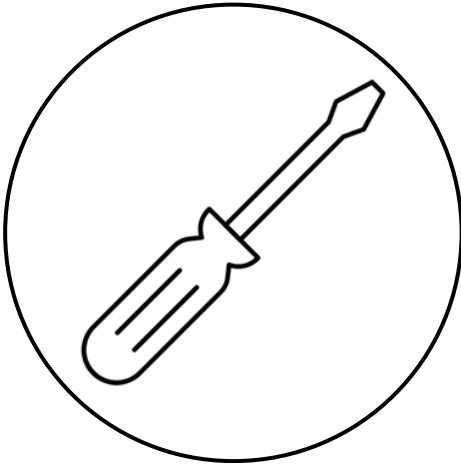


40x Shelf Fronts (G)

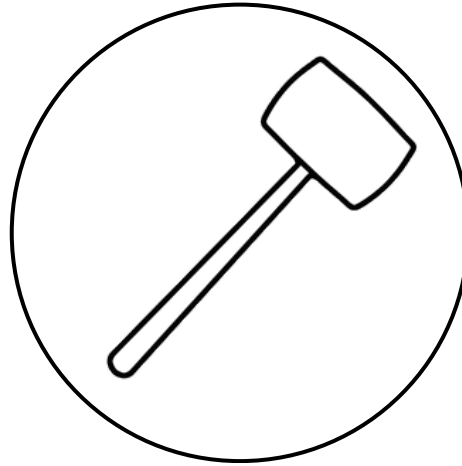


4x Wood Screws (H)

RECOMMENDED TOOLS



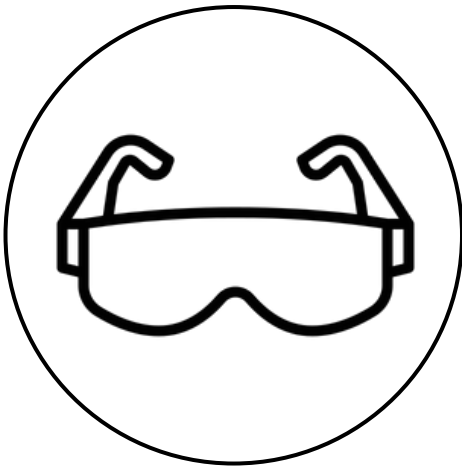
Screwdriver



Rubber Hammer



Cut-Proof Gloves



Safety Goggles



SAFETY DISCLAIMER

At KMR Displays, your safety is our top priority. While assembling your new retail display, please take the following precautions to ensure a safe and injury-free experience:

- 1: Use Proper Tools:** Only use the recommended tools, such as a screwdriver, to avoid accidents. A rubber hammer is optional but may help with secure assembly.
- 2: Protect Yourself:** Always wear gloves and safety goggles to prevent assembly related injuries.
- 3: Follow Instructions:** Carefully adhere to the step-by-step assembly guide to ensure the display is properly secured and stable.
- 4: Work Safely:** Assemble the display on a flat, stable surface, and avoid placing heavy objects on the display until fully assembled.

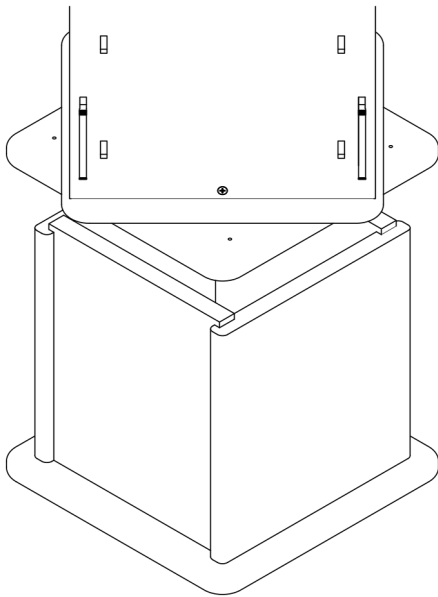
*****KMR Displays is not responsible for injuries, damages, or instability resulting from improper assembly or misuse of the product. If you have any concerns or questions, please reach out to our team for assistance.*****



KMR DISPLAYS

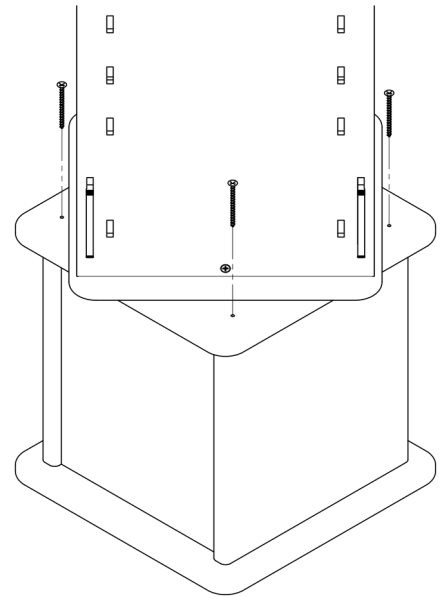
ASSEMBLY INSTRUCTIONS

1



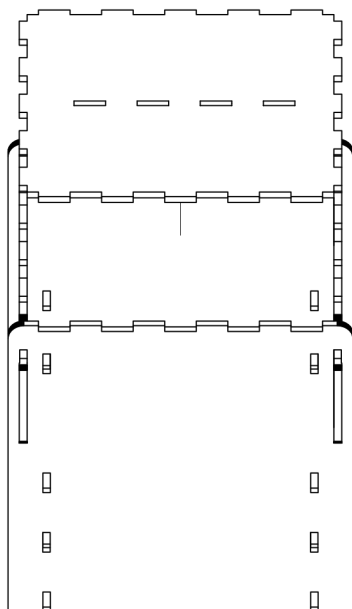
Take the display body (A) and place it on the display base (B).

2



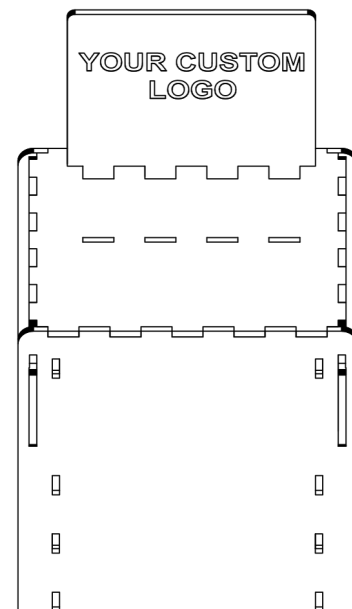
Attach the base using the included screws (H).
(screwdriver not included)

3



Place the top (C) onto the display body (A).
(rubber hammer may be needed)

4

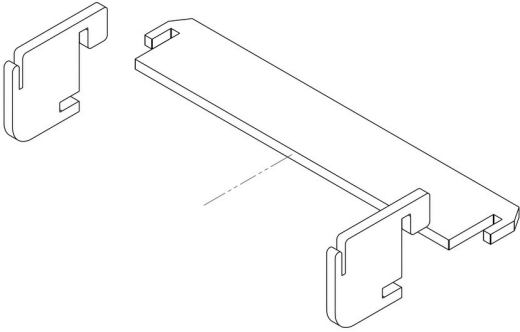


Insert the branded sign (D) into the top (C)

5

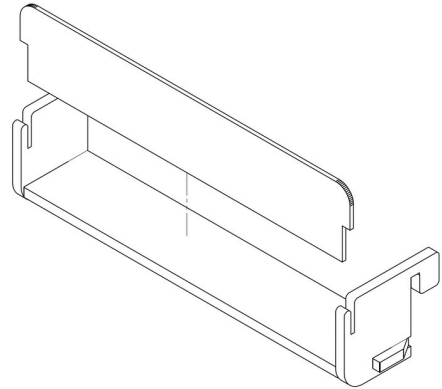
ASSEMBLY INSTRUCTIONS

5



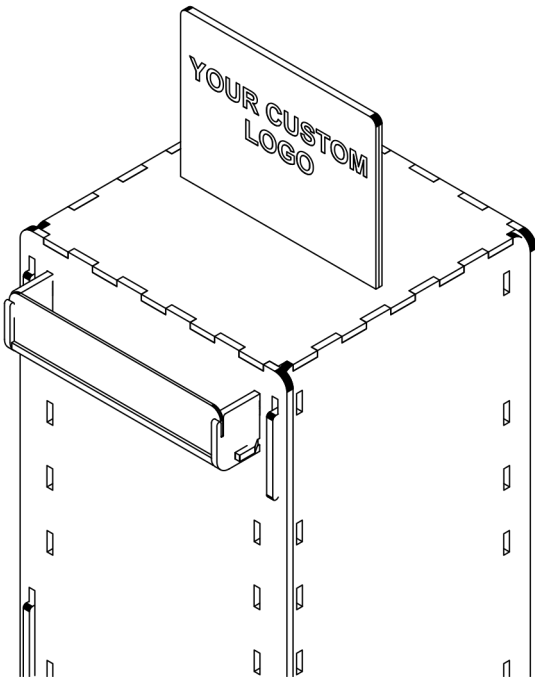
Take the shelf bottoms (E) and insert a shelf side (F) on either side.

6



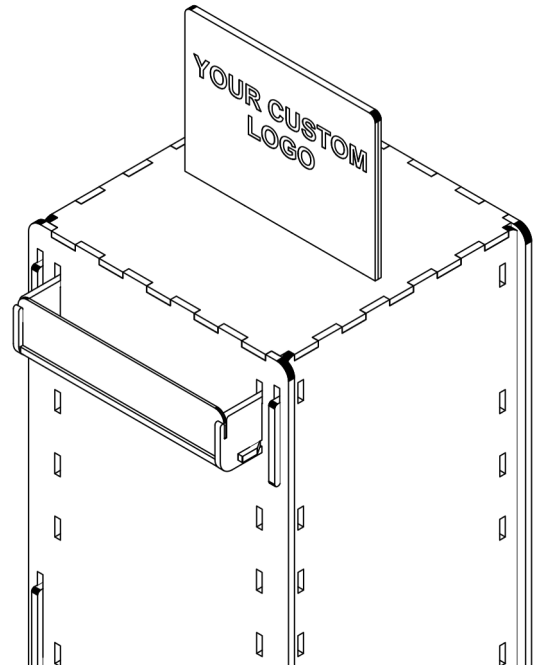
Remove the protective film from each shelf front (G) and place into the shelf.

7



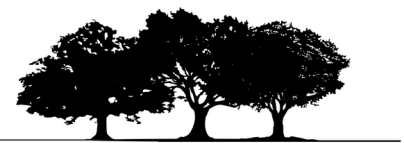
Take each assembled shelf and insert it into the display body.

8



Finally, push down on each shelf to lock it into place.

6



KMR DISPLAYS

Thank you for your purchase!

We are thrilled that you are part of the KMR Displays family! Your decision to partner with us means the world!

If you have any questions during setup or need assistance, don't hesitate to reach out to our team.



www.kmrdisplays.com
sales@kmrdisplays.com



KMR DISPLAYS